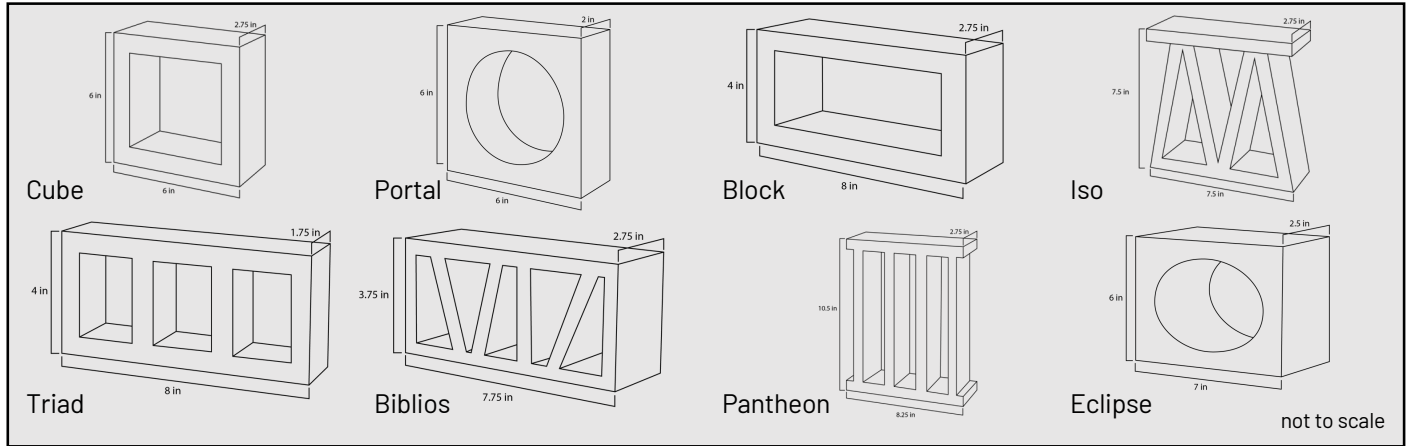




TERRA FORM ARCHITECTURAL BLOCKS SPECIFICATIONS



	nominal dimension*	actual dimension*	qty / box	sq ft / box	box dimensions	box weight
Cube	6 x 6 x 2.75 in	15 x 15 x 7 cm	16	3.83	11.5 x 12 x 12 in	43
Portal	6 x 6 x 2 in	15 x 15 x 5.5 cm	20	4.78	11 x 12 x 12 in	51
Block	4 x 8 x 2.75 in	10 x 20 x 7 cm	15	3.23	14 x 8 x 12 in	41
Iso	7.5 x 7.5 x 2.75 in	19 x 19 x 7 cm	5	1.92	13.5 x 7.5 x 8 in	25
Triad	4 x 8 x 1.75 in	10 x 20 x 4.5 cm	21	4.52	14 x 8.5 x 12.5 in	42
Biblios	3.75 x 7.75 x 2.75 in	9.5 x 19.5 x 7 cm	15	2.99	14 x 8 x 11 in	40
Pantheon	10.5 x 8.25 x 2.75 in	27 x 21 x 7 cm	3	2.39	10.5 x 8.5 x 8 in	20
Eclipse	6 x 7 x 2.5 in	15 x 17.5 x 6 cm	12	1.69	17 x 9 x 12 in	45

finish	Unglazed & Glazed
material	Terra Cotta
country of origin	Spain

suggested grout line size	1/2" minimum
installation type	mortar
placement	indoor / outdoor* *with the exception of freeze/thaw
installation options	residential & commercial

Tile Performance	Red Earth	Buff Earth	Glazed
	Absorption UNE-EN ISO 10545-3:1997 all specs considered non-vitreous	10-13%	14.03%

Clients are responsible for hiring a skilled installer that has experience in installing architectural blocks. Based on the product specifications and ratings provided above, consult with a licensed contractor or installer regarding the application of these tiles in your specific project and site conditions prior to installation.

Hairline cracks, also known as crazing, are common with ceramic tiles and can be expected on the surface of glazed Terra Form Architectural Blocks.

Terra Form architectural blocks are made by hand, and subtle variations in color and size are inherent with these products. Clients should reference Terra Form Architectural Block Installation Instructions for additional details.